

Specification sheet LX2184

Parapet drainage Series 79 RAINSTAR® as rectangular spout

Emergency drainage

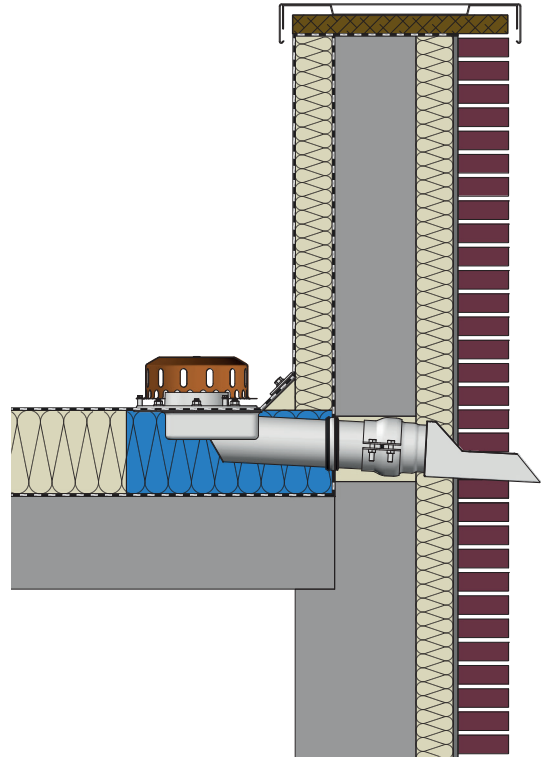
Gravity flow

Silent

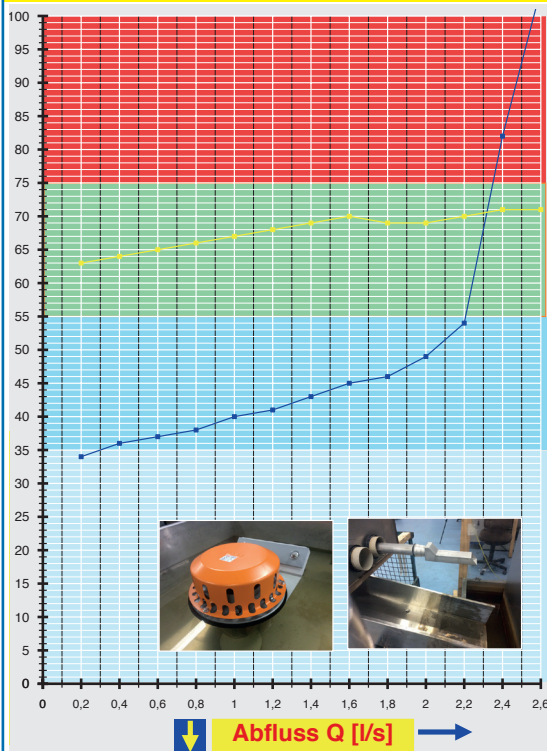
Discharge rate:	2,35 l/sec
Water height:	75 mm
Roof penetration:	82 mm
Diameter:	DN 50
LX-Number:	LX 2184
Weir height:	35 mm
Drain:	ventilated
Downpipe:	ventilated
Downpipe height:	0 m
Drainage:	on floor
Flange form:	Clamping flange

LX 2184 Piece list

- 1 x Art.-No. 01371.050X, LORO-X RAINSTAR® Parapet drain
- 1 x Art.-No. 01401.050X, LORO-X Pipe with one socket
- 1 x Art.-No. 13232.050X, LORO-X Sliding flange
- 1 x Art.-No. 15196.050X, LORO-X Rectangular emergency spout
- 1 x Art.-No. 00911.050X, LORO-X Sealing element
- 1 x Art.-No. 00986.000X, LORO-X Lubricant



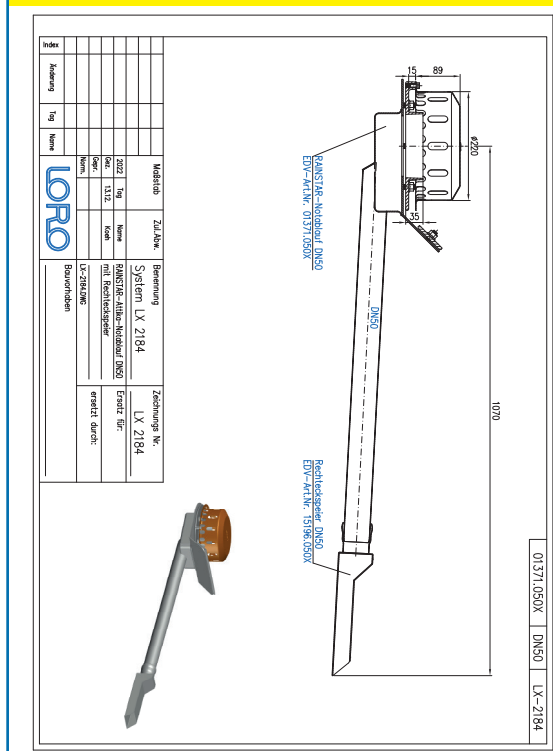
hQ - Head Discharge curve



↓ Abfluss Q [l/s] →

Systempower

CAD



Systemshape

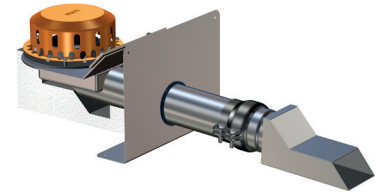
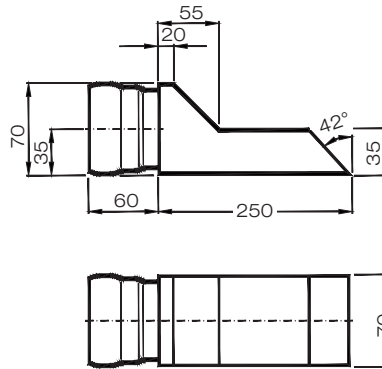
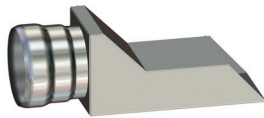
Water height	mm	20	25	30	35	40	45	50	55	60	65	70	75	80	85	90	95	100
Discharge	l/s	-	-	-	-	1,0	1,6	2,03	2,2	2,23	2,28	2,3	2,35	2,39	2,42	2,47	2,5	2,57
Silent																		

LORO-X Rectangular Emergency spout

DN 50

LX2184-20X

Series 79 (RB)
Rectangular spout
 Art.-No. 15196.050X
 Weight: 0,7 kg



Series 79 (RB)
 Drain Art.-No. 01371.050X
 Weight: 5,3 kg

with clamping flange 45°
 fo bituminous roofing sheets

